

# NuWhirl™

NuWhirl offers a unique solution to your whirlpool bath supply chain needs. As a primarily sourced supplier, we focus on providing well engineered, quality products, that are available when you need them, and are backed by highly personalized service. In short, a great value!





## EXCEPTIONAL PRODUCTS

- Full Jetted Tub Product Line
- Three Part Safety Suctions
- Silicone Injection Ports
- Straight and Vee Venturis - in All Sizes
- Vinyl and Pipe Systems
- Superior Pump Performance, Plus 10 Year Warranty
- Your Walk-In Tub Experts

## EXCEPTIONAL SERVICE

- Talk to a Pro 24/7
- Local Reps and Distributors in Key Markets
- Hundreds of Products In-Stock, Ready to Ship
- No Broken Box Penalties. No Hidden Charges
- Kits and Trim Sets Available

## AIR SYSTEMS

blowers  
fittings

## ELECTRONIC CONTROLS

air systems  
water systems  
combo systems  
air activated controls

## WATER SYSTEMS

heaters  
pumps  
fittings  
trim sets  
plumbing kits

*Engineered and supported  
by people you trust.*

[www.nuwhirl.com](http://www.nuwhirl.com)





Engineered and supported by people you trust

*5 Reasons  
Bathtub Manufacturers  
Partner with Us*

# Hundreds of *manufacturers* count on us. Thousands of *consumers* love us. Here's why *you* should partner with us.

---

## **1 DRIVE SALES WITH INNOVATION**

NuWhirl offers your company a strategic advantage through unique products, customized solutions, and made to order parts. The makers of Infusion<sup>TM</sup>, micrOzone, and CozyHeat, we provide systems that optimize your electronic controls and bathtub products.

## **2 RECEIVE PARTS RELIABLY AND AFFORDABLY**

NuWhirl maintains a five business day lead time with all parts. Stocking popular items in house helps your business get products more quickly. We place no order minimums on standard products and offer free freight on orders over \$10,000.

## **3 GET THE SUPPORT YOU DESERVE**

How NuWhirl works is as important as what we sell. Our team members have been doing UL and CSA certification for over 50 years, and you'll receive the direct phone number for the person who can best respond to your product, business, and manufacturing questions.

## **4 DEPEND ON OUR REPUTATION**

Nearly 70% of the bath OEM industry partners with NuWhirl. Our customers refer us to other manufacturers in part because of our integrity, experience, and personal approach. We trust that the facts demonstrate our worth to your business.

## **5 COUNT ON NUWHIRL'S QUALITY**

We offer a better warranty than many other suppliers—including 10 year coverage for pumps—because we stand behind our products' performance and durability. If a part is defective, just send us the serial number and we'll handle the return quickly and easily.

Create superior bathtub products with an exceptional supply partner.

**Jim Runnion**

V.P. Sales/Principal

(714) 683-4678

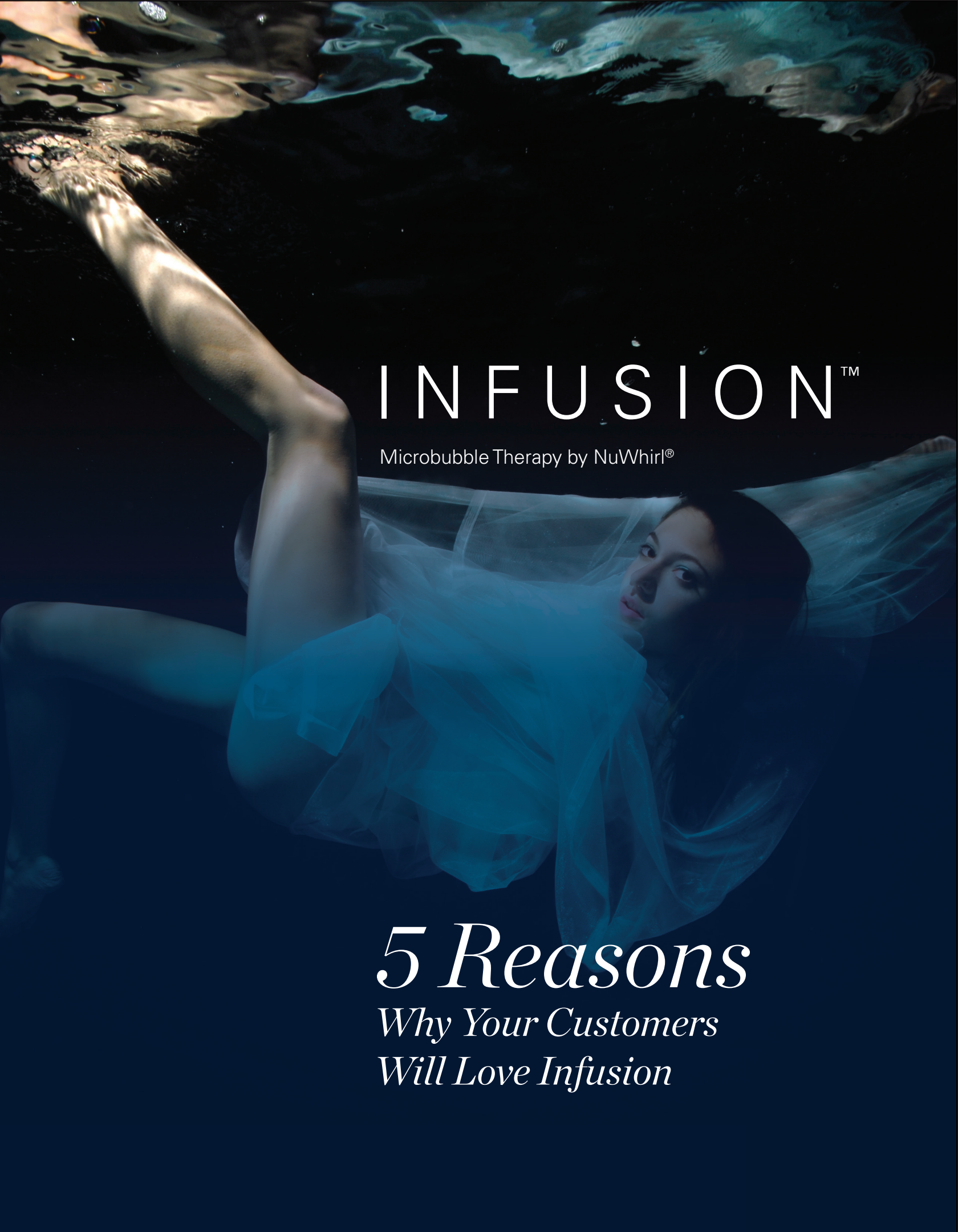
[jrunnion@nuwhirl.com](mailto:jrunnion@nuwhirl.com)

or learn more at [NuWhirl.com](http://NuWhirl.com)

[nuwhirl.com](http://nuwhirl.com) | 951 817 5600 | 2066 California Avenue, Corona, CA

Founded in 2005, NuWhirl Systems Corp. is a leading supplier of quality whirlpool bath components and high performance pumps. Our capabilities in engineering, distribution, and service have earned our excellent reputation among bath manufacturers and custom marble and granite bath businesses.





# INFUSION™

Microbubble Therapy by NuWhirl®

## *5 Reasons*

*Why Your Customers  
Will Love Infusion*



Engineered and supported  
by people you trust

## INFUSION BY NUWHIRL® IS LIQUID LUXURY

NuWhirl's technology uses pressurized water to create oxygen-rich microbubbles. The result: hydrotherapy that envelopes and massages your body, offering an incredible experience beyond any ordinary bath.

Help your customers  
rejuvenate mind and body.  
*Tell them about Infusion's benefits.*

### 1 EVERYDAY LIQUID LUXURY

With *Infusion*, you're floating in the silky embrace of millions of micro-sized bubbles, surrounded by a pool of continuously-warming water. Take a vacation every day from anxiety, aches, and pains.

### 2 THE PERFECT TEMPERATURE... ALWAYS

During a normal bath, the water cools, and your body fights to stay warm. *Infusion* works differently. The bathtub's temperature increases about 1°F each hour and eliminates the need for adjustments.

### 3 PROVEN TO SOFTEN SKIN AND IMPROVE HYDRATION

We've tested it so that you'll love it. In third-party laboratory findings, every participant demonstrated increased hydration, and nearly 80% experienced softer skin (an average 10% improvement.)

### 4 A HOME SPA TREATMENT

*Infusion* stimulates the skin to promote restfulness and the release of muscle tension. Keep these relaxing effects with you throughout your day.

### 5 AN EXPERIENCE PEOPLE DON'T WANT TO END

People who tried *Infusion* in our third-party study had extremely high opinions of the product, and nearly all said they would recommend *Infusion* to a family member or friend.

Share *Infusion's* benefits, and invite customers to learn more at:  
[InfusionMicrobubble.com](http://InfusionMicrobubble.com)

[nuwhirl.com](http://nuwhirl.com) | 951 817 5600 | 2066 California Avenue, Corona, CA

NuWhirl Systems Corp. is a leading supplier of quality whirlpool bath systems. Our capabilities in engineering, distribution, and service have earned our excellent reputation among bath manufacturers and custom marble and granite bath businesses.





# INFUSION™

Microbubble Therapy by NuWhirl®

*Rejuvenate Mind and Body with  
the Liquid Luxury of Infusion*





*Experience:* INFUSION™

## INFUSION BY NUWHIRL® IS LIQUID LUXURY

You're floating within the silky embrace of millions of micro-sized bubbles, surrounded by a pool of bathwater that continuously warms your body. There are no interruptions. No anxiety. No aches and pains.

It's just you:  
*your* body relaxed,  
*your* skin rejuvenated,  
*your* mind set free.

---

### AN INCREDIBLE BATHING EXPERIENCE EVERY DAY

*Infusion* combines pressurized water with oxygen-rich microbubbles that moisturize, restore, and exfoliate skin and help relax mind and body. The experience feels more sumptuous and more opulent than any ordinary bath can offer.

As *Infusion* creates these microbubbles, it envelopes and massages your body. The system maintains the water's heat to extend your comfort throughout the bath.

NuWhirl's technology is durable and proven, thoroughly tested to provide many years of bath times and to help you enjoy every moment of them.

### BEYOND THE BATH

*Infusion* users tell us they don't want their experience to end. If you must towel off and face the demands of the outside world, take comfort in knowing that you take the effects with you.

- Promotes the release of muscle tension
- Leaves your body hydrated
- Softens skin to the touch





*The Benefits of:* INFUSION™



EVERYDAY LUXURY DOESN'T HAVE TO END

# The effects of *Infusion* stay with you even when the experience is over.

---

## **THERMAL THERAPY**

During a normal bath, the water begins to cool, and your body fights to retain its warmth. *Infusion* works differently. The bathtub's temperature increases approximately 1°F every hour—even without adding more water—which can help its warming effects linger after you get out of the tub.

## **MASSAGE THERAPY**

Skip the spa appointment. *Infusion* stimulates your skin to promote restfulness and the release of muscle tension. Keep the relaxing effects of your experience with you throughout your day.

## **OXYGEN THERAPY AND CLEANSING**

*Infusion* helps clean and exfoliate your skin. Its liquid thin film technology super-saturates your bath with up to 50% more dissolved oxygen than in regular water.

## **BEAUTY**

*Infusion* softens and hydrates skin every day. Combine the benefits of our technology with the tranquility of a microbubble massage.



A microscopic view of plant cells, showing a network of cell walls forming a honeycomb-like structure. The cells are mostly hexagonal and pentagonal in shape, with some smaller, more irregular cells interspersed. The overall color is a gradient of blue, from a lighter cyan at the top to a darker blue at the bottom.

*The Science of:* INFUSION™

# We've tested it so that you'll love it.

---

NuWhirl® sponsored a third-party laboratory to conduct instrument measurements as well as an attitudinal survey on the effects of *Infusion*. The methodology used two controls: dry skin and skin after a regular bath. We combined this testing with our own in-house research and found...

- *Since Infusion maintains even water temperature, people who use Infusion feel warmer, and the warming effects linger after the bath is over.*

- *Infusion's water feels soft and silky compared to regular water.*

- *Infusion stimulates the epidermal layer of skin and promotes relaxation, rejuvenation, and the release of muscle tension.*

- *Dissolved oxygen levels in the bathwater increased up to 50%. With Infusion, bubbles form and disperse to create an exothermic reaction. Laboratory tests show that microbubbles kill the bacteria *Legionella* and *Aeruginosa*.*

- *100% of test participants demonstrated improved hydration and moisture content in the upper layer of skin after a 10-minute immersion in Infusion.*

*The average: a 14.24% increase over untreated skin.*

- *After a 10-minute bath, Infusion increased the softness of our participants' skin. 79.31% of test participants had an average improvement of 10%.*

People who took part in this third-party study had extremely favorable opinions of Infusion that exceeded actual lab measurements. Nearly all said that they would recommend purchasing Infusion to a family member or friend.







*Engineered and supported  
by people you trust*

# INFUSION™

Microbubble Therapy by NuWhirl®

---

There is nothing like  
the experience of *Infusion*.

To find out for yourself, speak with one of the nationwide  
retailers that offer Infusion and other NuWhirl® systems,  
or visit our website to learn more.

[InfusionMicrobubble.com](http://InfusionMicrobubble.com)



Engineered and supported  
by people you trust



## Infusion<sup>®</sup> Microbubble Therapy

Infusion is a highly innovative luxury bathing experience that infuses water under pressure with millions of micro sized, oxygen rich microbubbles, transforming your bath water into a soothing cloud that helps moisturize, soften, restore and exfoliate skin, and helps relax mind and body.

### Features and Benefits

**Innovative** U.S patented LTF (Liquid Thin Film) device super-saturates the water with up to 50% more dissolved oxygen than regular water alone.

**Proven Technology** Microbubble technology has been successfully used in the water treatment industry for many years.

**Performance** High pressure, low flow 10.0A pump allows system to operate under lower pressure and lower power than comparable products.

**Rugged Construction** MBPTA pressure vessel was designed to 125% of maximum pressure and lab tested for over 70,000 cycles (95 years of bathing; two baths per day)

**Easy to Operate** Controlled by a Air Switch or Touchstone Electronic Control.

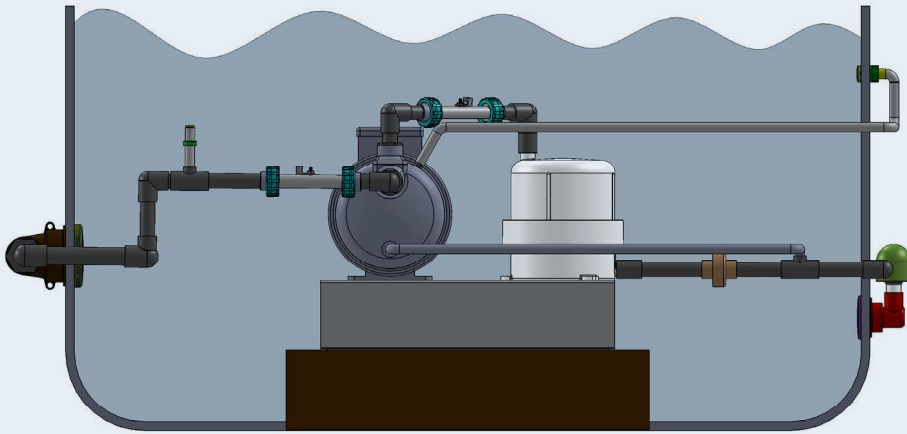
**Easy to purchase** In stock; backed by industry leading customer care; same day shipping upon request.

---

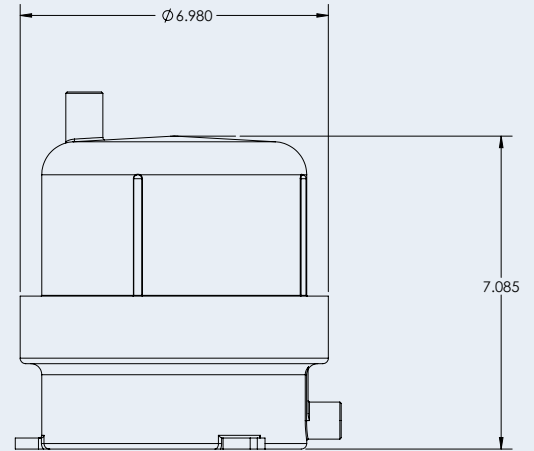
**Exceptional service support:** Infusion is supported by the best engineering, sales and customer care in the Whirlpool Bath industry.



Engineered and supported  
by people you trust

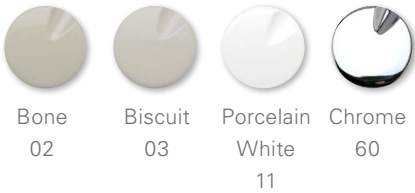


Conventional Tub Installation



Pressure Vessel

Available in the following finishes



Ordering

- MBPPF-xx** Prime Port Fitting, 1" DIA X 1/8" BARB  
1 required
- MBTF1-xx** Trim Fitting, 6.43cm  
2 required
- MBKIT100XCS** Microbubble Plumbing Kit, Pump,  
No Air Switch Pump, Conventional Bath,  
US Installations
- MBKIT100SCS** Microbubble Plumbing Kit, Pump, Air Switch,  
Conventional Bath, US Installations

Installation

Please see website for Infusion installation instructions

NOTE: Kits exclude trim fittings and tubing. Complete system requires a suction assembly. See catalog or website for selection.

contact us to learn why we are the industry's preferred jetted tub supplier

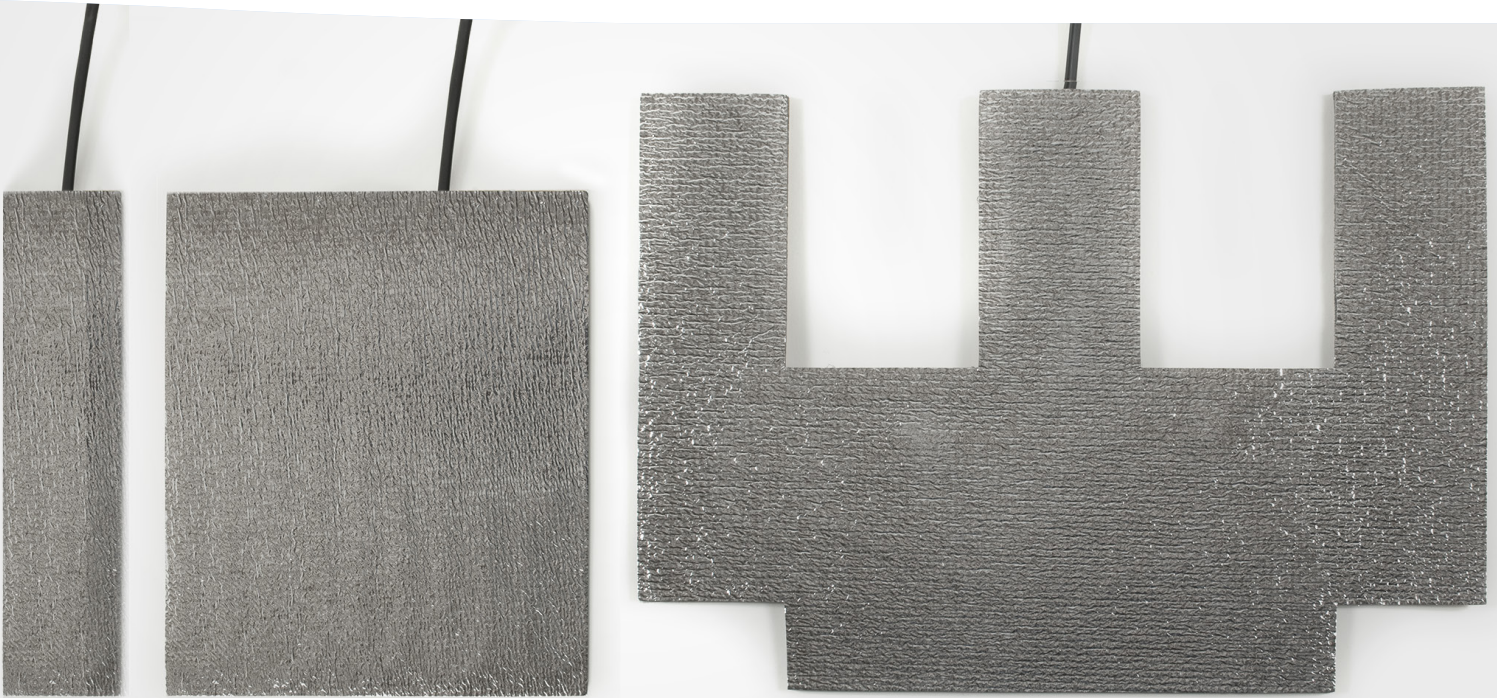
nuwhirl.com | 951 817 5600 | 2066 California Avenue, Corona, CA

11/2014





*Engineered and supported  
by people you trust*



## CozyHeat

CozyHeat is the solution for providing warm tub surfaces while waiting for the tub to fill or empty. Within minutes of activating, the bather can feel the heat radiating from the tub surface creating a comforting warm environment eliminating chills.

### Features and Benefits

**Innovative** Fast warm up. Custom shapes available. Power supply can drive multiple blankets. Optional thermistor sensor for temperature feedback

**Proven Technology** Core heating technology has been installed in thousands of heating applications worldwide. Industry leading overheat protection accomplished through multi-level temperature monitoring using a tandem thermal switch and high temp thermal fuse. An industry first.

**Rugged Construction** The heating cables are encased in a multi-layer mesh blanket, bonded together through a heat press process, providing excellent mechanical strength, ready for a trouble free tub manufacturing process.

**Performance** With one of the fastest heating curves in the industry, CozyHeat dramatically enhances the bathers' experience.

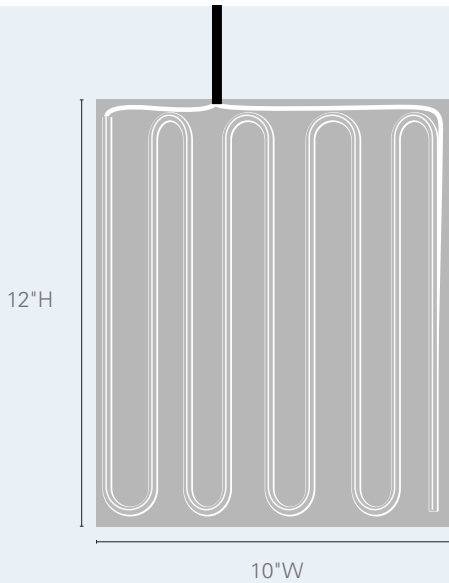
**Easy to Install** Prep the surface with a wire brush, peel off the adhesive backing and press or roll on.

**Easy to Operate** by electronic control: with a stand alone power supply or a Touchstone system integrated supply, systems are available for any tub configuration. Can also be combined with any other Touchstone features/control modules. Various temperature settings available all under software control.

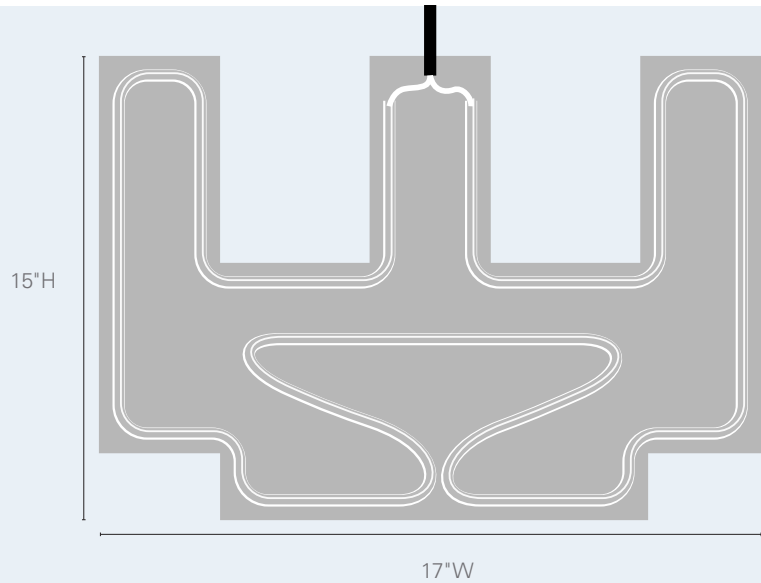
**Easy to purchase** In stock; backed by industry leading customer care; same day shipping upon request.



Engineered and supported  
by people you trust



**HS2IBS-01** Surface Heater  
**HS2ITBS-01** Surface Heater w/Thermistor



**HS2IBJ-01** Surface Heater  
**HS2ITBJ-01** Surface Heater w/Thermistor

Ordering

- HS2IBS-01** Surface Heater, 10"Wx12"H, Insulated, Peel & Stick, Tub Back or Tub Seat
- HS2ITBS-01** Surface Heater, 10"Wx12"H, Insulated, Peel & Stick, Tub Back or Tub Seat, Thermistor
- HS2IBJ-01** Surface Heater, 17"Wx15"H, Insulated, Peel & Stick, Back Jet Pattern
- HS2ITBJ-01** Surface Heater, 17"Wx15"H, Insulated, Peel & Stick, Back Jet Pattern, Thermistor
- HS2IBS-12** Surface Heater, 3"Wx12"H, Insulated, Peel & Stick, Tub Back or Tub Seat
- HS2IBS-13** Surface Heater, 4"Wx12"H, Insulated, Peel & Stick, Tub Back or Tub Seat
- HS2IBS-14** Surface Heater, 6"Wx12"H, Insulated, Peel & Stick, Tub Back or Tub Seat

Installation

Please see website for installation instructions

Heater Specifications	Size WxH	Description	Blanket Area	Heater Watts	Watt Density	Voltage	DC Amps	AC Amps	Heater Wire Cord
<b>HS2IBS-01/ HS2ITBS-01</b>	10x12"	Back / Seat	0.83ft <sup>2</sup>	38W	46W/ft <sup>2</sup>	24 VDC	1.6	0.31	112"L
<b>HS2IBJ-01/ HS2ITBJ-01</b>	17x15"	Back Jet	1.1ft <sup>2</sup>	40.5W	45W/ft <sup>2</sup>	24 VDC	1.7	0.35	101"L
<b>HS2IBS-12</b>	3x12"	Back / Seat	.25ft <sup>2</sup>	14.4W	57.6W/ft <sup>2</sup>	24 VDC	0.6	0.1	39.4"L
<b>HS2IBS-13</b>	4x12"	Back / Seat	.333ft <sup>2</sup>	16.5W	49.5W/ft <sup>2</sup>	24 VDC	0.7	0.1	35"L
<b>HS2IBS-14</b>	6x12"	Back / Seat	.5ft <sup>2</sup>	25.4W	50.8W/ft <sup>2</sup>	24 VDC	0.9	0.2	50"L

CozyHeat systems are operated through use of NuWhirl's extensive system of electronic controls and displays. Contact us for hardware selection suitable for your needs.

contact us to learn why we are the industry's preferred jetted tub supplier

nuwhirl.com | 951 817 5600 | 2066 California Avenue, Corona, CA

3/2016



Engineered and supported  
by people you trust



## TOUCHSTONE™ Master Bath Control

NuWhirl's TOUCHSTONE Master Bath Control is the industry's **only** integrated solution for feature-rich walk-in and conventional tubs. This intelligent electronic control system can simultaneously operate two loads totaling 15 amps, high-intensity LED tub lights, conductive water detection, and surface heaters with temperature display.

### Features and Benefits

**Cost-Effective Solution** Eliminates the need for and expense of multiple control boxes, additional wiring, and external power supplies.

**Flexible** Controls a variety of systems, such as pumps, variable-speed blowers, conductive water detection, and LED bathtub lights, all powered from a single NEMA 5-15P plug.

**Load-Limiting Interlock Logic** Automatically limits the combined loads to a maximum of 15 amps (for configurations that include multiple high-power loads such as hydro massage and micro bubble pump systems.)

**Expandable** Integrates with other TOUCHSTONE controls.

**Large Power Supply** Supplies both the unit and 24-volt bath surface heaters (up to 96 watts).

**Operates by Air Switch or Keypad** Supports any combination of up to three air switches and single- or multi-button electronic keypads.

**Customized** Software configurations using the same control.

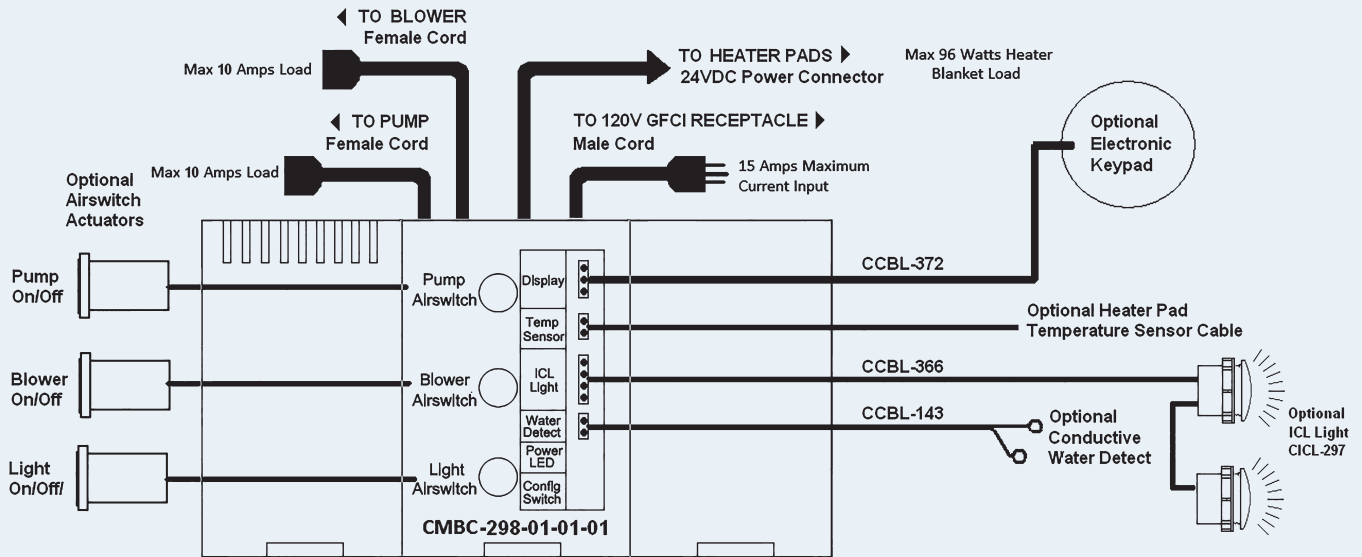
**Immediately Available** Product in stock. No minimums. Same-day shipping available.

---

**Exceptional service support:** TOUCHSTONE Controls are supported by the best engineering, sales and customer care in the Whirlpool Bath industry for over 25 years.



Engineered and supported  
by people you trust



## CMBC-298

### Ordering

**CMBC-298-01-01-01** Master Bath Control, On/Off & Variable Loads, Surface Heater, Temperature Feedback, Light, Water Detect, Air Switch and/or Keypad Actuated

### Installation

**Mounting** Bottom tabs with screw holes on both sides

### Special Installation Notes

Fastens to tub platform, plugs into a standard under-tub 15A NEMA receptacle

### Compatible With

#### Standard Air Switch Actuators

- CICL-297-xxx** LED Light
- CCBL-366** LED Light Cable
- CCBL-xxx** Conductive Water Detect Cable
- CIDU-xxx** Addressable Displays
- CCBL-372** Addressable Display Cable

### Specifications

**Dimensions** 6-13/16" L x 6-11/16" W x 5" H

**Electrical Rating** 15 Amps, 125 Volts AC, 60 Hz.

Controls Single Speed pump (10 Amps max.) and Variable Speed Blower (10 Amps max.) loads, through two NEMA receptacle power cords. Also controls Surface Heaters, 24V at 4 Amps max (96W.)

Can operate one CICL-297 Color LED Light, connected using CCBL-366.

Accepts Conductive Water Detect cable

Operated by multiple single or fewer multi button displays or three air switches or combinations of the above, for Load x3 and Light control.

Provides for selectable configurations offering unique operating parameters for pumps, blowers, special run timers, interlocks, etc.



contact us to learn why we are the industry's preferred jetted tub supplier

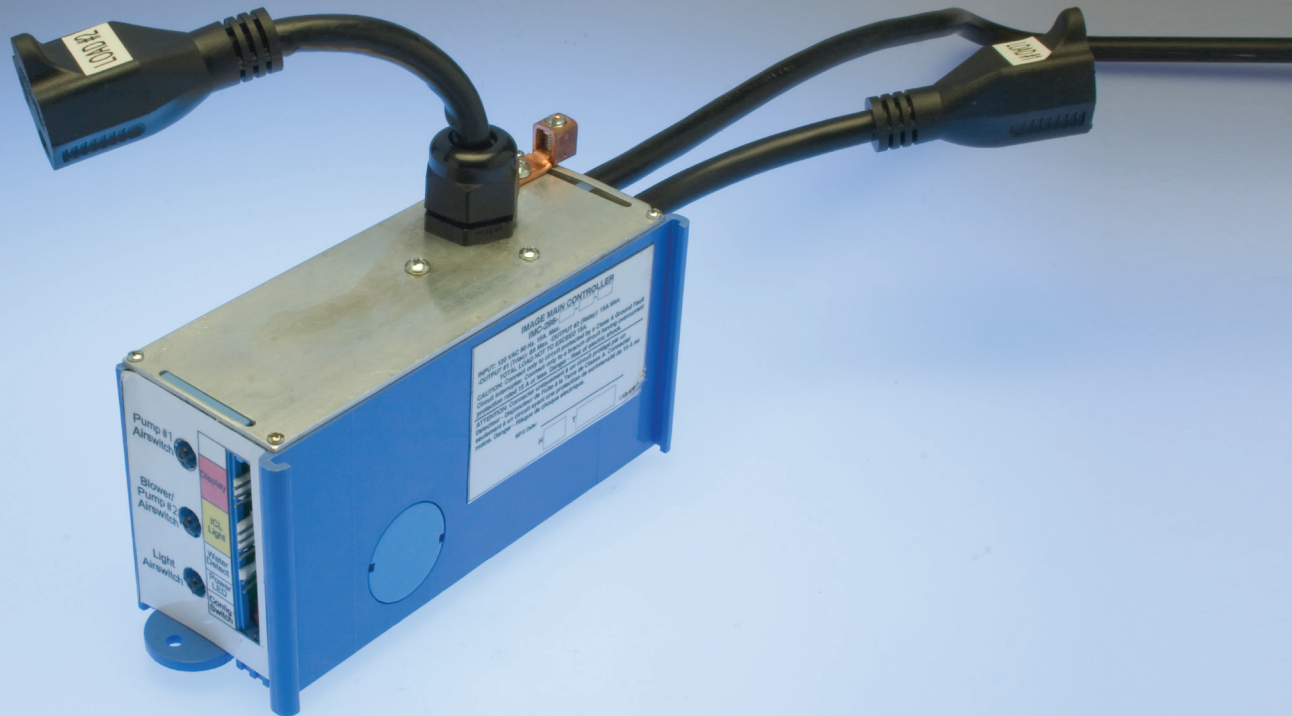
nuwhirl.com | 951 817 5600 | 2066 California Avenue, Corona, CA

10/2015





Engineered and supported  
by people you trust



## TOUCHSTONE™ Dual-Load Control

NuWhirl's TOUCHSTONE Dual-Load Control is an ideal, low-cost solution for combination air/water systems. It is particularly suited for walk-in and entry-level bathtubs. This controller is the **only** "one box" system that operates two loads totaling 15 amps (plus LED bath lights.)

### Features and Benefits

**All-in-One** Eliminates the need for and cost of multiple control boxes, additional wiring, and multiple mountings.

**Flexible** Controls a variety of systems, such as pumps, variable-speed blowers, conductive water detection, and LED bathtub lights, all powered from a single NEMA 5-15P plug.

**Adaptive** Provides for multiple software configurations. A single unit can be tailored to serve many different devices.

**Sized for Smaller Tubs** Offers a reduced footprint for easy installation in tight spaces.

**Operates by Air Switch or Keypad** Supports any combination of up to three air switches and single- or multi-button electronic keypads.

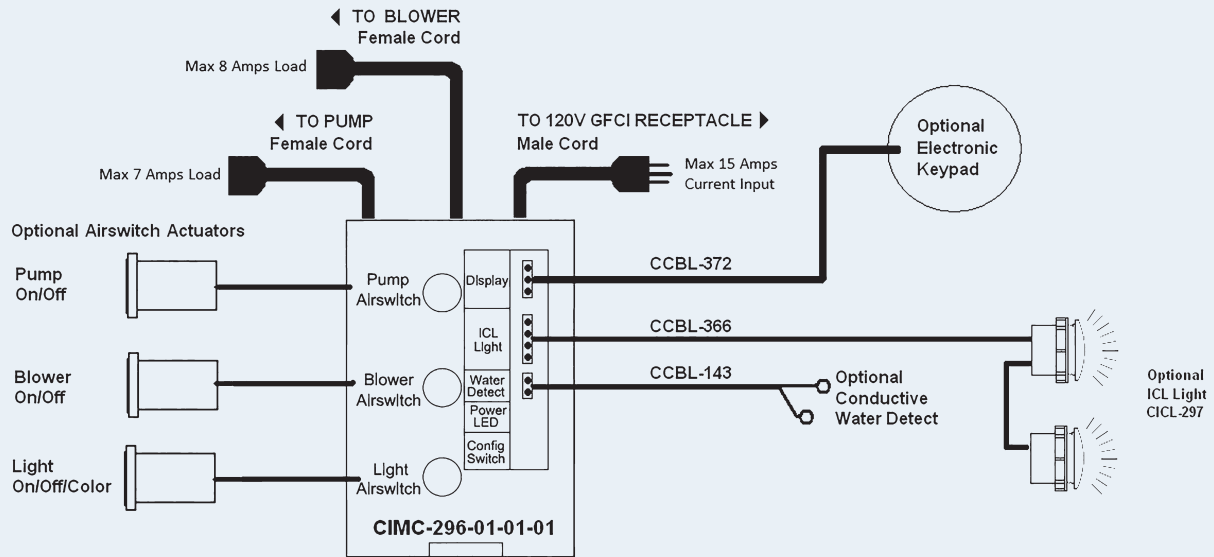
**Immediately Available** Product in stock. No minimums. Same-day shipping available.

---

**Exceptional service support:** TOUCHSTONE Controls are supported by the best engineering, sales and customer care in the Whirlpool Bath industry for over 25 years.



Engineered and supported  
by people you trust



## CMBC-296

### Ordering

**CIMC-296-01-01-01** Dual Load Control, On/Off & Variable Load, Light, Water Detect, Air Switch or Electronic Display Activated

### Installation

**Mounting** Bottom end tabs with screw holes

### Special Installation Notes

Fastened to tub platform, plugs into a NEMA 15A rated receptacle.

### Specifications

Dimensions 6-13/16" L x 2-3/8" W x 3" H  
Electrical Rating 15 Amps, 125 Volts AC, 60 Hz.

Controls Single Speed (Induction pump, 7 Amps max.) and Variable Speed (Blower, 8 Amps max.) loads, through two NEMA receptacle power cords.

Operates one C1CL-297 Color LED Light, connected using CCBL-366.

Accepts Conductive Water Detect cable, CCBL-XXX

Operated by one or two multi button displays or three single displays or three air switches or combinations of the above, for Load x 2 and LED Light control.

### Compatible With

- C1CL-297-xxx** LED Light
- CCBL-366** LED Light Cable
- CCBL-xxx** Conductive Water Detect Cable
- C1DU-xxx** Addressable Displays
- CCBL-372** Addressable Displays Cable



contact us to learn why we are the industry's preferred jetted tub supplier

nuwhirl.com | 951 817 5600 | 2066 California Avenue, Corona, CA

10/2015



Engineered and supported  
by people you trust



## TOUCHSTONE Stand-Alone LED Light Control System

NuWhirl's TOUCHSTONE stand-alone light control is the power supply solution for our luminous and cost-effective RGB LED lights (CICL-297). Activate this flexible control system through an electronic keypad, with a manual air switch, or as part of a more personalized configuration.

### Features and Benefits

**Beautiful, Affordable Illumination** Powers NuWhirl's brilliant, cost-effective RGB LEDs across a spectrum of colors.

**Multiple Lighting Settings** Provides a selection of lighting scenes from rainbow to individual colors in various timing sequences.

**Power for Bright, Wide-Angle Lights** Works with NuWhirl's LEDs to offer outstanding luminosity that reaches every part of the bathtub.

**Flexible Activation** Supports multiple options including customizable electronic keypad and manual air switch.

**Auxiliary Power On/Off** Allows for activation using alternative controls, such as light switches and remotes.

**Small Installation Footprint** Offers easy installation in tight spaces thanks to its compact size and integrated mounting feet.

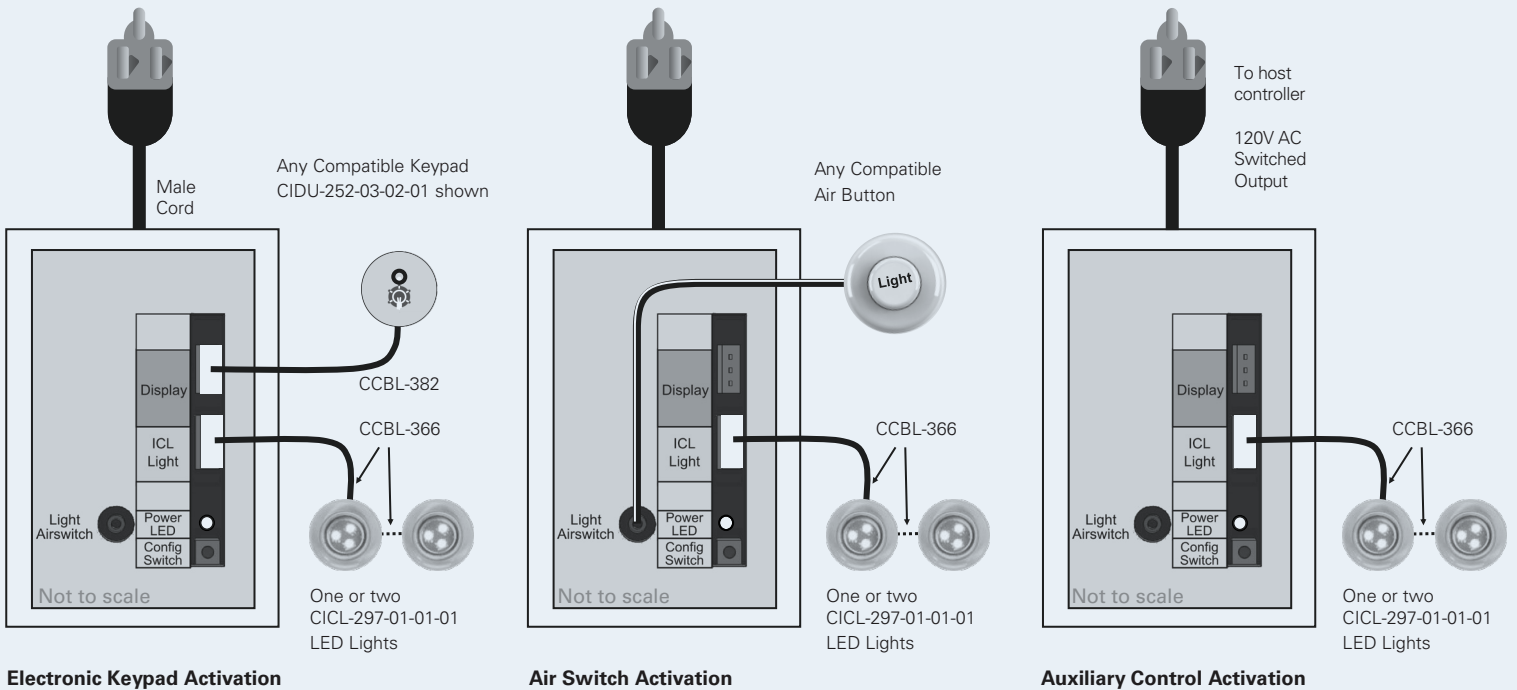
**Instant Service** Product in stock. No minimums. Expedited order processing available upon request.

---

**Exceptional service support:** TOUCHSTONE Controls are supported by the best engineering, sales and customer care in the Whirlpool Bath industry.



Engineered and supported  
by people you trust



## LED Light Control System Installation Instructions

### Ordering

<b>CILA-306-01-01-01</b>	LED Light Control
<b>CICL-297-xxx</b>	LED Multi-Color Light
<b>CCBL-366</b>	LED Light Cable

### Optional Controls

<b>CIDU-xxx</b>	Addressable Displays (keypad activation)
<b>CCBL-382</b>	Addressable Displays Cable (keypad activation)
<b>AB-XX</b>	Air Button (air switch activation)
<b>500105</b>	Air Switch Tubing (air switch activation)

### Installation

Mounting – Bottom end tabs with screw holes.

### Special Installation Notes

Fastened to tub platform, plugs into NEMA 15A GFI-protected receptacle.

### Specification

Dimensions: 6-13/16" L x 2-3/8" W x 3" H

### Electrical Ratings

Input: 120 VAC 60 Hz. 2A. Max.  
Load: For Connection To NuWhirl Corp.  
Low-Voltage Tub Lights Only.  
Low Voltage Output: 15VDC 0.2A Max.  
UL Recognized Component

For information on NuWhirl Instructions, see:  
[nuwhirl.com/docs/product-instructions.html](http://nuwhirl.com/docs/product-instructions.html)



contact us to learn why we are the industry's preferred jetted tub supplier

[nuwhirl.com](http://nuwhirl.com) | 951 817 5600 | 2066 California Avenue, Corona, CA

10/2015





*Engineered and supported  
by people you trust*



## TOUCHSTONE™ LED Light

NuWhirl's TOUCHSTONE LED Light transforms the entire bathtub with a wide spectrum of high-intensity colors. Its convenient smaller housing is nearly flush to the tub's surface and serviced from the front.

### Features and Benefits

**Brighter, Wide-Angle Light** Outstanding luminosity across a spectrum of RGB colors plus improved brightness in every part of the bathtub.

**Efficiency** Uses high-power LEDs that are better than older lighting solutions while making a comparable impact.

**Contemporary** Mounts nearly flush to the tub wall to fit cleanly with its shape and surface.

**Convenience** Front serviceable for ease of access.

**Adaptable Build** A smaller body accommodates both thin and thick tub walls. Connect multiple lights easily without loss of brightness.

**Cost Effectiveness** Standard housing diameter reduces tool changes in production. Also, fully integrates with existing TOUCHSTONE controls without an additional transformer.

**Immediately Available** Product in stock. No minimums. Same-day shipping available.



---

**Exceptional service support:** TOUCHSTONE Controls are supported by the best engineering, sales and customer care in the Whirlpool Bath industry for over 25 years.



Engineered and supported  
by people you trust



**CICL-297** Light & **CCBL-366** Cable

Ordering

**CICL-297-01-01-01** Light, 4.45 CM, Hi Intensity LED, 3 RGB, Low Profile, Front Removeable Lens

**CCBL-366** Cable, 6' Length, 4 Position MTA Connector

Specifications

**Dimensions** 1-3/4" Dia. Face, 1-1/4" Length

**Electrical Rating** Extra-Low Voltage, Class 2 Accessory

Installation

**Hole Size** 1-5/16"

Special Installation Notes

Must use recommended silicone for lip sealing; see installation instructions

CCBL-366 required

Multiple lights can be daisy chained together (refer to controller spec for number of lights)

Adaptor required for use with Command System and Command Flow controls



contact us to learn why we are the industry's preferred jetted tub supplier

nuwhirl.com | 951 817 5600 | 2066 California Avenue, Corona, CA

8/2014



*Engineered and supported  
by people you trust*



## Low Profile Electronic Keypad

The CIDU 315-01-08-15 is a low profile digital display unit with blue LED screen that allows the bather to control the bath experience with ease. The unit sits nearly flush to the tub for an outstanding, contemporary aesthetic.

### Features and Benefits

**8 Buttons Design** One stop control for all the optional features of a premier whirlpool bath - pumps, blower, lights, solenoid valve for back jets and foot jets—for a great user experience.

**Stylish Design** This super thin design sits almost flush with the tub surface and complements any contemporary bath tub application. Mutable illuminated buttons with BLUE LED's for user preference settings.

**State of the art design plus high quality materials and conformal coatings** Assures reliable performance in the most challenging bathroom environments.

**No complicated programming** Simply follow the illuminated icon marked keypad buttons to select and activate bath features.

**Easy to Install** No complicated wiring, super easy keypad installation using a pressure sensitive adhesive backing.

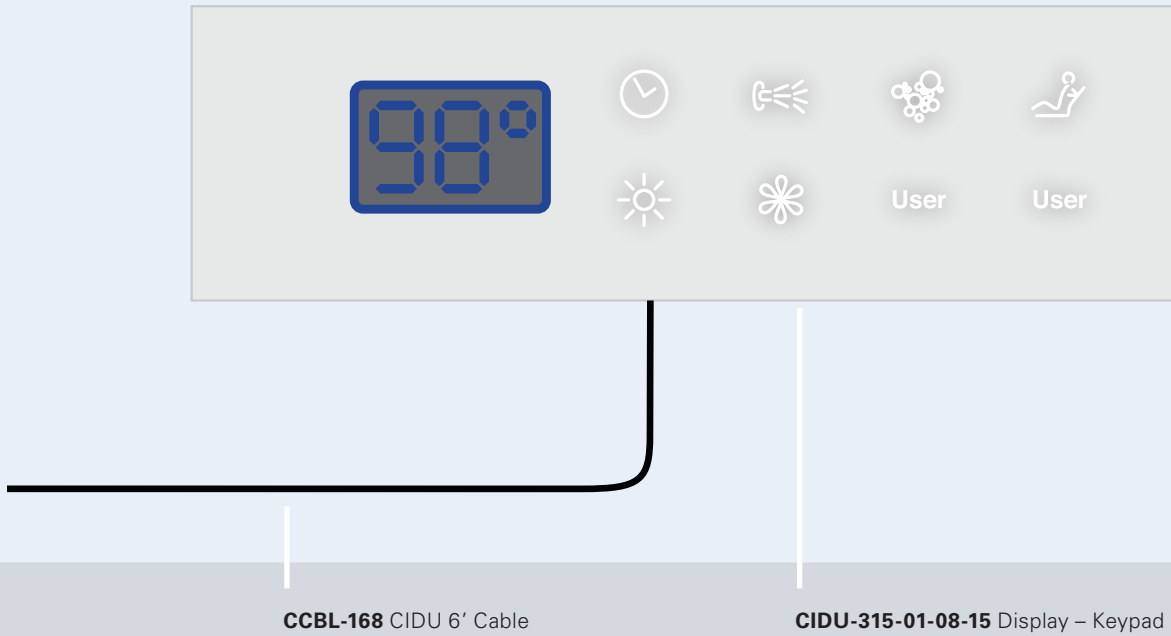
---

**Exceptional service support:** TOUCHSTONE® electronic controls are supported by the best engineering, sales and customer care in the Whirlpool Bath industry.





Engineered and supported  
by people you trust



Available in the following finish



White

Ordering

**CIDU-315-01-08-15** Display - 8 Button,  
Low Profile Keypad

**CCBL-168** CIDU 6' Cable

Installation

Drill Deck Top Opening Size: 1.220" x 4.180"

contact us to learn why we are the industry's preferred jetted tub supplier

nuwhirl.com | 951 817 5600 | 2066 California Avenue, Corona, CA

6/2013



Engineered and supported  
by people you trust



## micrOzone Ozone Generator

ACTUAL SIZE

Ozone is a proven water disinfectant. NuWhirl's micrOzone generator targets tub plumbing where water can remain after baths, creating a higher concentration of ozone than many larger units. Its size—the smallest in the industry—means simple and flexible installation.

### Features and Benefits

**High Performance.** Uses patented Corona Discharge micro-ozone cell technology that generates higher concentrations of ozone than many larger units.

**Compact Size.** Smallest ozone generator available to the bathing industry, making it adaptable to a variety of applications.

**Automated Solution.** Introduces ozone into water automatically when a pump / blower is turned on.

**Safety.** Innovative technology minimizes nitrous oxide off-gassing.

**Smart Power.** Combine its piggy-back cord with a pump or blower to turn on only as needed. Adjustable output of 15mg/hr. to 30mg/hr. (128ppm to 255ppm.)

**Efficiency.** Low power consumption means more electrical capacity for pumps, blowers and lights.

**All-in-One Product.** Simple to inventory and put on the manufacturing floor. 3 ft. of 1/4" ID tubing with 1/4" X 3/8" Kynar check valve, sold separately.

**Easy Activation.** Can be combined with a Touchstone system for more control options.

**Proven Technology.** cURus (USR/CNR.) micrOzone's technology has been proven with customers for 20+ years.

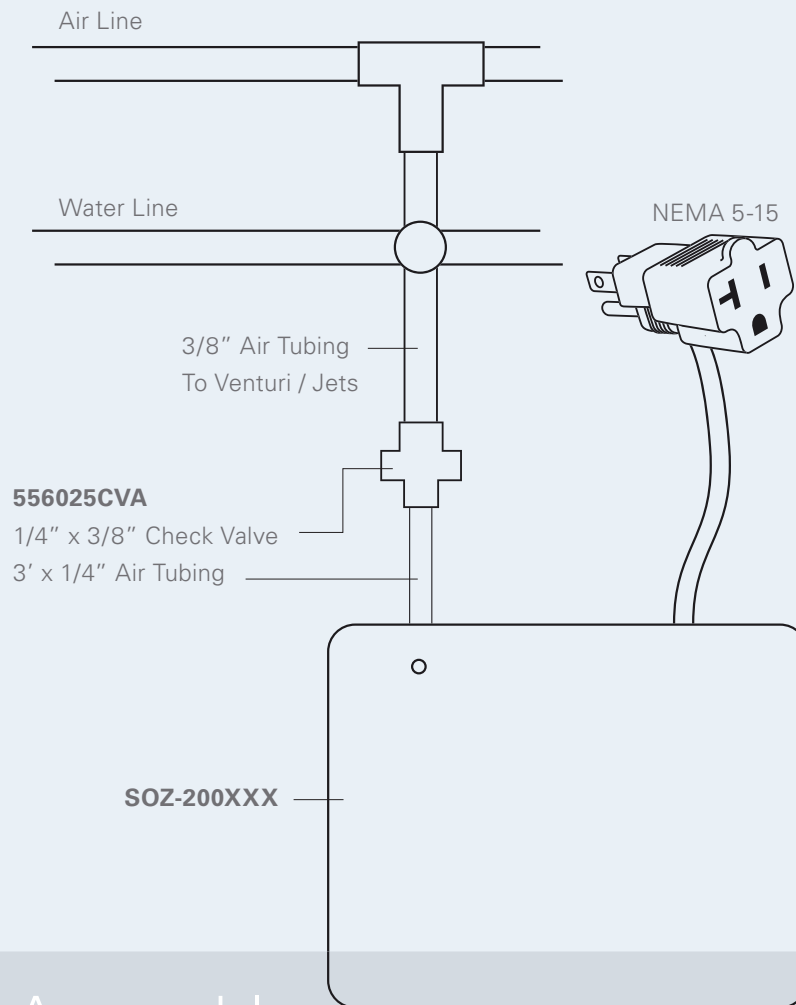
**Instant Service.** Product in stock. No minimums. Expedited order processing available upon request.

---

**Exceptional service support:** micrOzone is supported by the best engineering, sales and customer care in the Whirlpool bath industry.



Engineered and supported  
by people you trust



## micrOzone Assembly

Water often remains in a tub's plumbing after baths, which can encourage the growth of bacteria. Ozone is a proven water disinfectant. micrOzone works automatically to keep your tub maintained, reducing the need for regular disinfecting.

### micrOzone Ordering

**SOZ-200XXX** micrOzone Ozone Sanitization System

**556025CVA** 1/4" x 3/8" Check Valve & 3' x 1/4" Air Tubing Assembly

contact us to learn why we are the industry's preferred jetted tub supplier

nuwhirl.com | 951 817 5600 | 2066 California Avenue, Corona, CA

8/2015





Engineered and supported  
by people you trust



SAI1-60



JAI8PLS1-60



JAI6PLS1-60



MJ11-60



SACI-60



ABI-60



AIISG1-60



AIISP1-60

## Impressions

An innovative collection of flush mounted fittings for Whirlpool Bath Tubs.

### Features and Benefits

**Stylish Design** U.S. patented, Bauhaus inspired design that takes Whirlpool Bath Tub aesthetics to a new level.

**Certified** Suction fitting carries cURus certification.

**Unique Features** Adjustable Nozzle Jets and Micro Jets with directional eyeballs.

**Easy to Install** Sold and installed as complete assemblies.

**Sanitary** Jets retain 10 mL (0.3 fl. oz.) or less of residual water.

**Superior Check Valves** Air Injectors have “Duck Bill” type check valves; due to their superior reliability, Duck Bill check valves are used extensively in the medical industry.

**Popular Color Palette** Available in Porcelain White and Chrome. Custom colors available upon request.

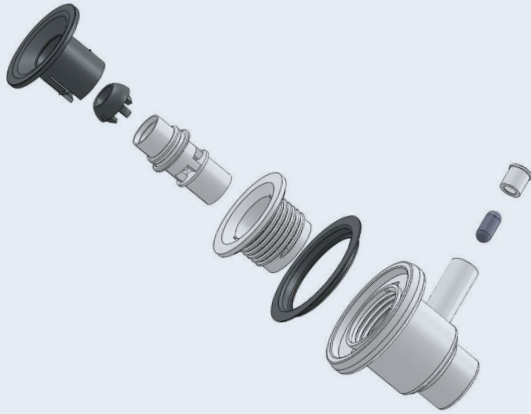
**Instant Service** Product in stock. No minimums. Same day shipping upon request.

---

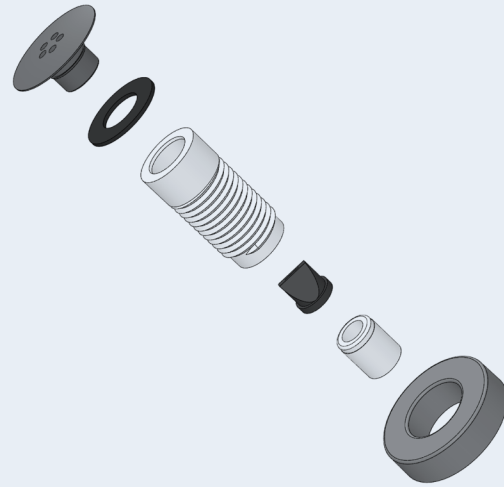
**Exceptional service support:** Impressions is supported by the best engineering, sales and customer care in the Whirlpool Bath industry.



Engineered and supported  
by people you trust



MJ11-XX



AIISP1-XX

Available in the following colors



Porcelain White 11    Chrome 60

Ordering

(replace XX with color number above)

Air Injectors

- AIISG1-XX**    Air Injector, 1", Single Hole, Flush
- AIISG2-XX**    Air Injector, 1.5", Single Hole, Flush
- AIISP1-XX**    Air Injector, 1",  
Salt & Pepper Style, Flush
- AIISP2-XX**    Air Injector, 1.5",  
Salt & Pepper Style, Flush
- MJ11-XX**    Micro Jet 3 Part Assembly, 4.6CM,  
Directional Eyeball,  
3/8" Spigot X 1" Socket, Flush
- SAI1-XX**    Suction Assembly, 9.46CM, Flush
- 300301**    Air Injector, 3/8" Elbow, Barbed
- 300302**    Air Injector, 3/8" Tee, Barbed

Waterjets and Controls

- ABI-XX**    Air Button, Flush
- JAI6PLS1-XX**    Jet Assembly, 6.46CM,  
Directional Eyeball,  
3/8" Spigot X 1" Socket,  
Straight, Flush
- JAI8PLS1-XX**    Jet Assembly, 8.16CM,  
Adjustable & Directional Nozzle,  
3/8" Spigot X 1" Socket,  
Straight, Flush
- JAI6PLV1-XX**    Jet Assembly, 6.46CM,  
Directional Eyeball,  
3/8" Spigot X 1" Socket, Vee, Flush
- SACI-XX**    Silent Air Control, Flush
- 406005**    Elbow, 1/2", 90 Degree, PVC
- 401005**    Tee, 1/2", PVC

contact us to learn why we are the industry's preferred jetted tub supplier

nuwhirl.com | 951 817 5600 | 2066 California Avenue, Corona, CA

11/2014



Engineered and supported  
by people you trust



## Hercules II Hydro Massage Pumps

Hercules II Hydro Massage Pumps feature energy efficient, single phase induction motors with thermal protection, copper windings, cast aluminum end bells, and a glass-filled polypropylene wet end assembly.

### Features and Benefits

**Proven Technology** Second generation cast aluminum end bell construction with a wear-resistant mechanical seal and Class F insulation ensures years of safe and reliable use.

**Performance** Among the highest performing pumps in the Whirlpool Bath industry.

**Certifications** UL and CSA

**Quiet** Most models operate between 70-73.5 dB.

**Energy Efficient** High horse-power to amp-draw ratio.

**Wide Selection** Available in 5.0A, 7.0A, 9.0A and 13.0A. Air Switch and Timer options.

**Easy to Purchase** In stock. Backed by industry leading customer care. Same day shipping upon request.

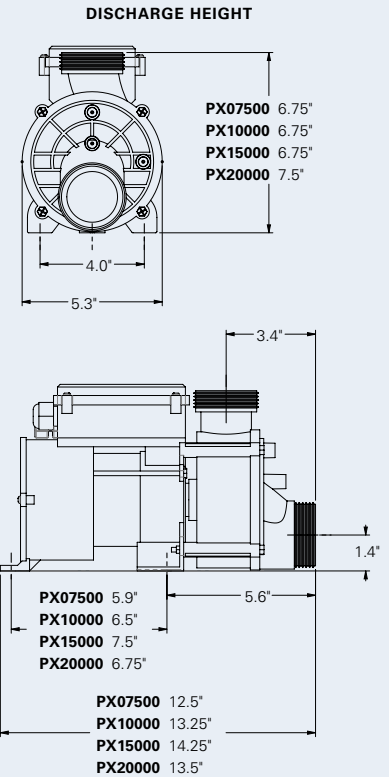
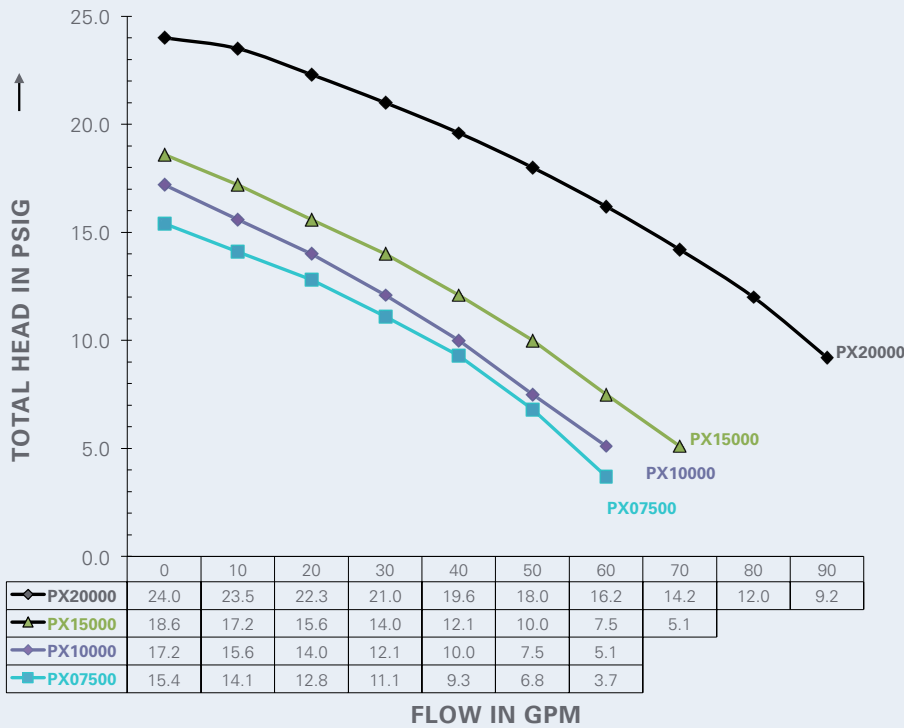
---

**Exceptional service support:** Hercules II Hydro Massage Pumps are supported by the best engineering, sales and customer care in the Whirlpool Bath industry.





Engineered and supported  
by people you trust



## Pump Performance

## Schematic

### Ordering

<b>Pumps</b>	120V/60HZ, Cord & Plug
<b>PX07500SCS</b>	¾HP, 5.0A, Air Switch, Single
<b>PX10000SCS</b>	1HP, 7.0A, Air Switch, Single
<b>PX15000SCS</b>	1½HP, 9.0A, Air Switch, Single
<b>PX20000SCS</b>	2HP, 13.0A, Air Switch, Single
<b>PX07500SCB</b>	¾HP, 5.0A, Air Switch, Bulk
<b>PX10000SCB</b>	1HP, 7.0A, Air Switch, Bulk
<b>PX15000SCB</b>	1½HP, 9.0A, Air Switch, Bulk
<b>PX20000SCB</b>	2HP, 13.0A, Air Switch, Bulk
<b>PX07500TCS</b>	¾HP, 5.0A, Timer, Single
<b>PX10000TCS</b>	1HP, 7.0A, Timer, Single
<b>PX15000TCS</b>	1½HP, 9.0A, Timer, Single
<b>PX07500TCB</b>	¾HP, 5.0A, Timer, Bulk
<b>PX10000TCB</b>	1HP, 7.0A, Timer, Bulk
<b>PX15000TCB</b>	1½HP, 9.0A, Timer, Bulk

### Pump Fittings

<b>601102</b>	1½" Connector Assembly
<b>601103</b>	1" Outlet Tee Assembly
<b>601108</b>	1" Outlet Tee Assembly, Vinyl Tubing Applications
<b>601111</b>	1½' Pump Union, Male

A selection of pump stands are also available.

### Specifications

HP	¾	1	1½	2
Amps	5.0	7.0	9.0	13.0
Weight-uncartoned	10½lb	11½lb	14lb	19¼lb
Bulk Pack Qty	56	56	56	36

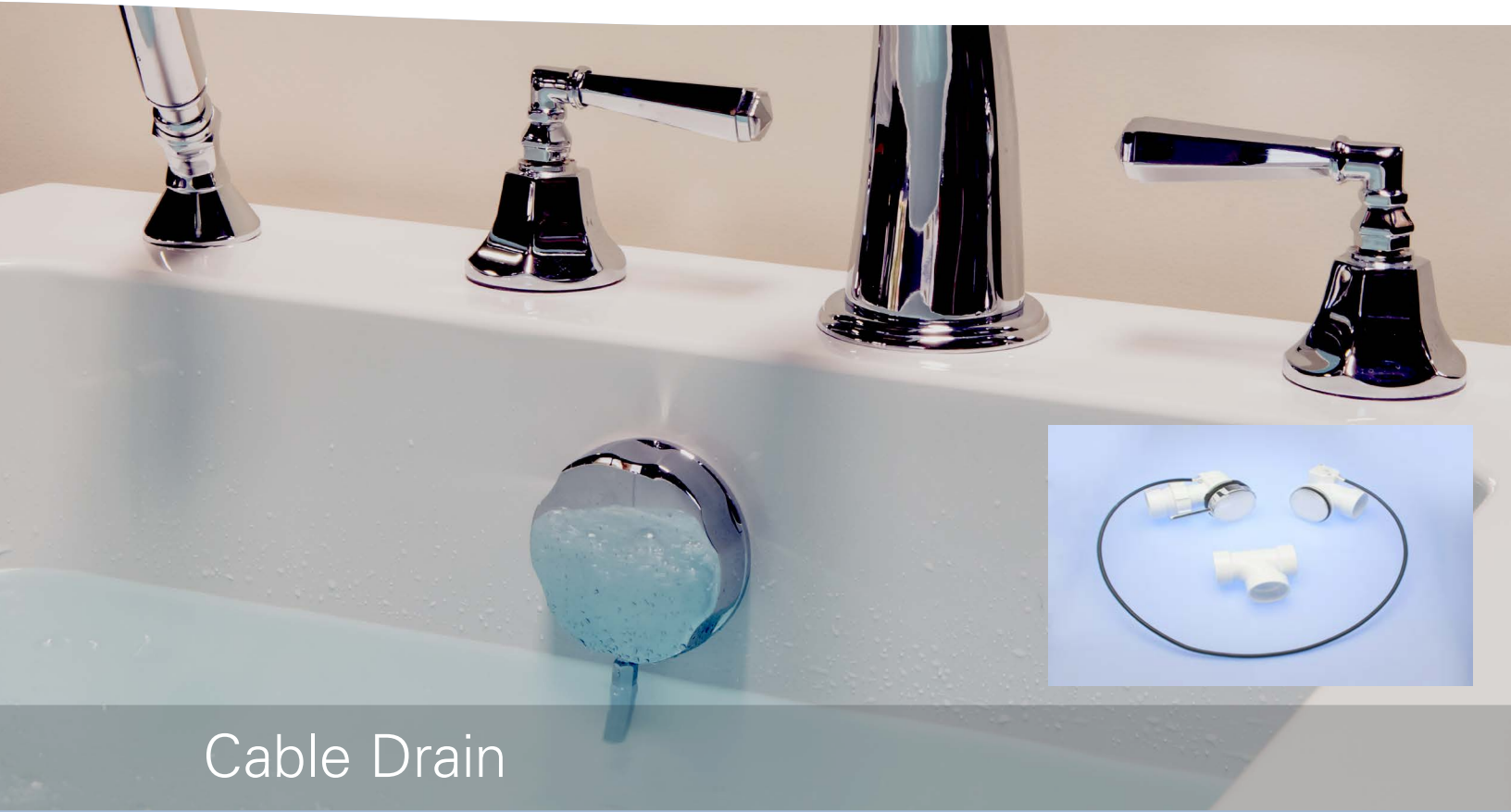
contact us to learn why we are the industry's preferred jetted tub supplier

nuwhirl.com | 951 817 5600 | 2066 California Avenue, Corona, CA

8/2013



Engineered and supported  
by people you trust



## Cable Drain

NuWhirl's Cable Drain operates the drain feature of a walk-in, soaker, or standard Whirlpool® bath and provides for safety overflow. It is conveniently operated by an "Easy Grasp" rotary knob.

### Features and Benefits

**Functional and Stylish Design** Simple and reliable cable actuation with trim fittings of timeless contemporary design.

**Durable Finish** Electric chrome plated copper.

**Easy to Operate** The "Easy Grasp" knob with extension handle is easy to operate. Simply turn the knob to open/close the tub drain.

**Fast Draining** The overflow port provides pressure relief to ensure fast and efficient tub draining.

**Easy Installation** Installed using threaded retainers.

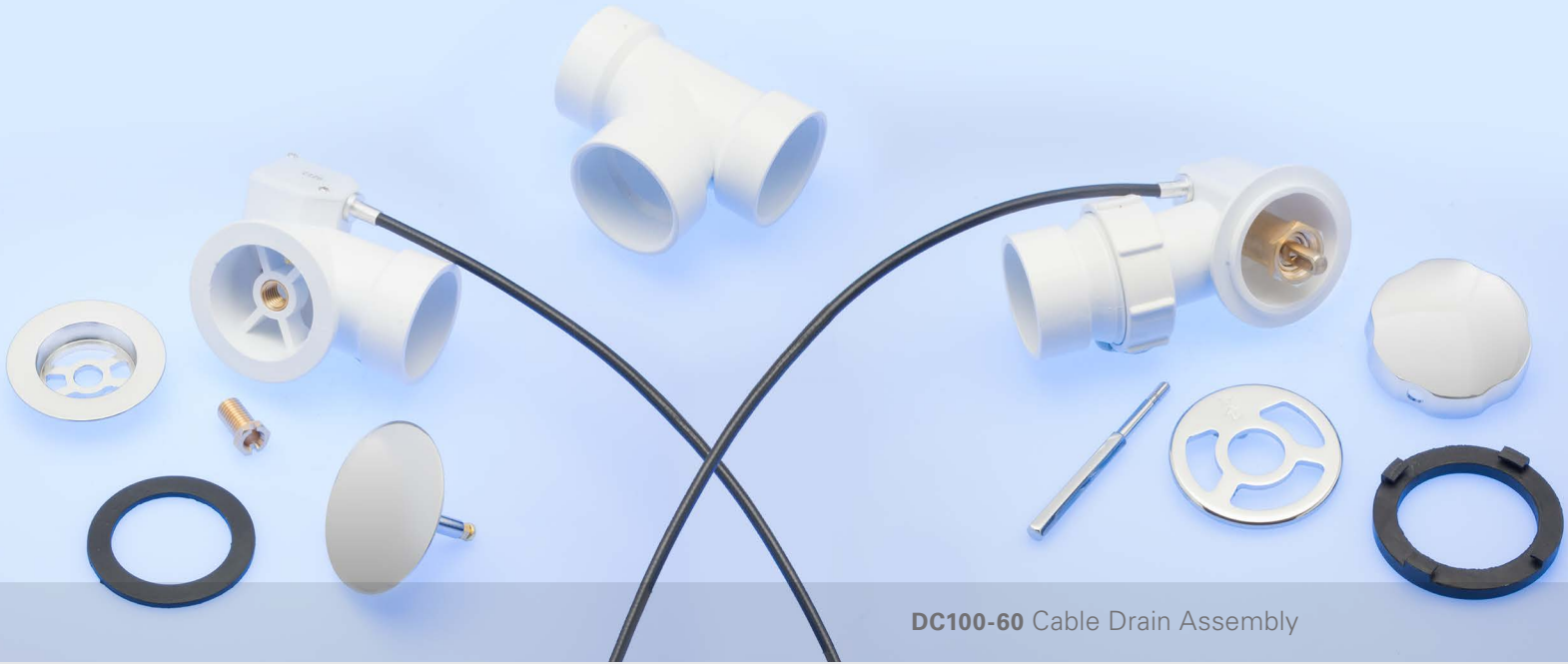
**In Stock** Same day shipping upon request.

---

**Exceptional service support:** Cable Drains are supported by the best engineering, sales and customer care in the Whirlpool Bath industry.

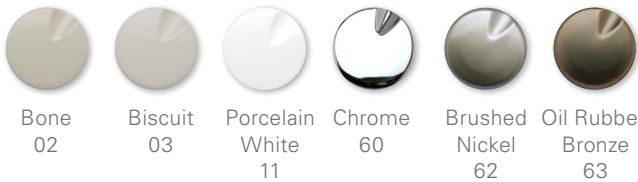


Engineered and supported  
by people you trust



DC100-60 Cable Drain Assembly

Available in the following finish



Ordering

- DC100-02** Drain Assembly, Cable, 40", Walk-In-Bath
- DC100-03** Drain Assembly, Cable, 40", Walk-In-Bath
- DC100-11** Drain Assembly, Cable, 40", Walk-In-Bath
- DC100-60** Drain Assembly, Cable, 40", Walk-In-Bath

- DC200-02** Drain Assembly, Cable, 27", Conventional Bath
- DC200-03** Drain Assembly, Cable, 27", Conventional Bath
- DC200-11** Drain Assembly, Cable, 27", Conventional Bath
- DC200-60** Drain Assembly, Cable, 27", Conventional Bath
- DC200-62** Drain Assembly, Cable, 27", Conventional Bath
- DC200-63** Drain Assembly, Cable, 27", Conventional Bath

- DC450-60** Drain Assembly, Cable, 45", Walk-In-Bath

Specifications

Drain Plumbing 1 1/2"

Installation

Mounting Hole Sizes Drain 7/8", Overflow 2 1/2"

contact us to learn why we are the industry's preferred jetted tub supplier

nuwhirl.com | 951 817 5600 | 2066 California Avenue, Corona, CA

5/2014





Engineered and supported  
by people you trust



## Air Injectors

Air injectors are small air jets designed to introduce air into the bath, creating thousands of tiny bubbles, much like in “champagne”. The effect is a delightful gentle massage sensation.

### Features and Benefits

**Broad Product Line** NuWhirl offers a wide-range of Air Injector designs that complement most contemporary bath tub applications. Single Hole, Salt & Pepper, and Mini Air Injector styles are available.

**Integral Check Valve** Many designs include a check valve to prevent water back-flow in the system.

**Easy to Install** Install easily by means of a multi-port Air Manifold.

**Popular Color Palettes** Available in White, Bone, Biscuit, Procelain White, Chrome, Brass, Brushed Nickel and Oil Rubbed Bronze.

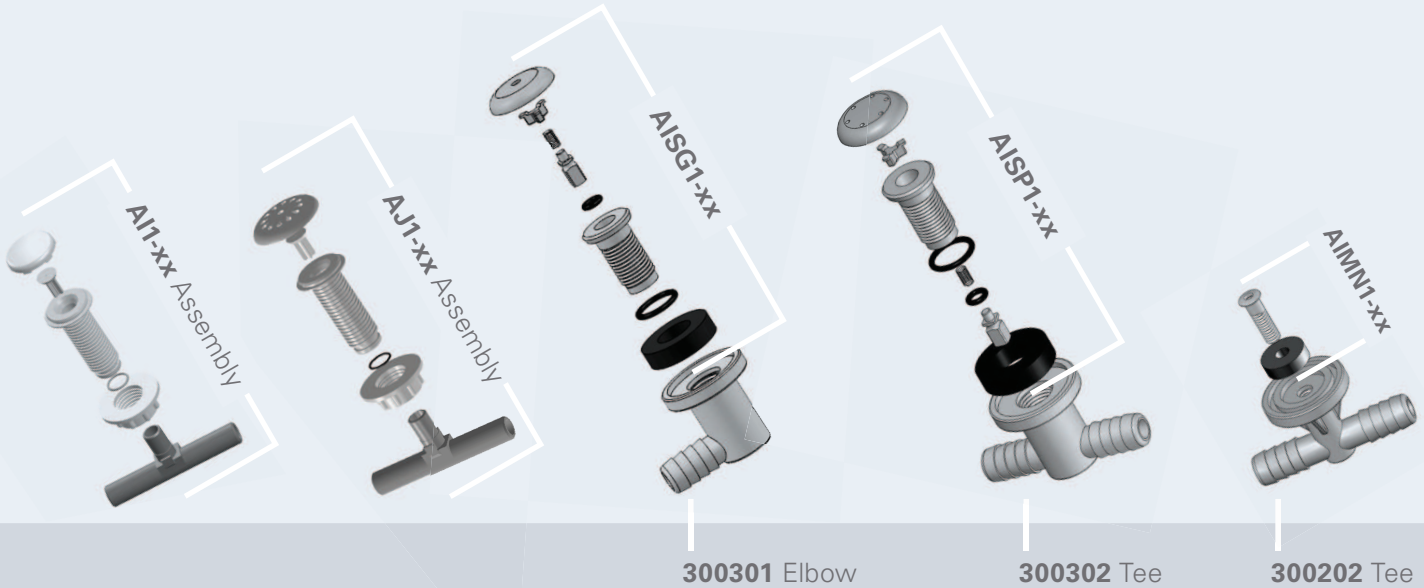
**Instant Service** Product in stock. No minimums. Same day shipping upon request.

---

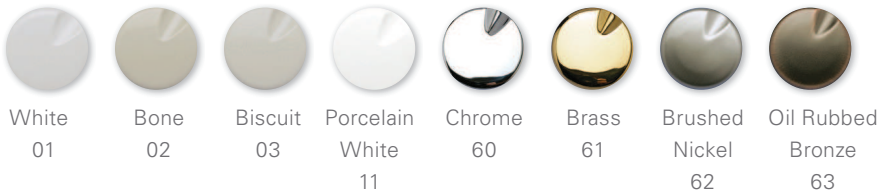
**Exceptional service support:** Air Injectors are supported by the best engineering, sales and customer care in the Whirlpool Bath industry.



Engineered and supported  
by people you trust



Available in the following finishes (Not all injectors are available in all finishes)



**Air Injector Ordering**

(replace xx with color number above)

- AI1-xx** Air Injector Assembly, 1" Button Style
- AI2-xx** Air Injector Assembly, 1½" Button Style
- AJ1-xx** Air Injector Assembly, 1" Salt & Pepper Style
- AISG1-xx** Air Injector, 1" Standard, Single Hole
- AISG2-xx** Air Injector, 1½" Standard, Single Hole
- AISP1-xx** Air Injector, 1" Standard, Salt & Pepper Style
- AISP2-xx** Air Injector, 1½" Standard, Salt & Pepper Style
- 300301** Air Injector, 3/8" Elbow, Barbed-Standard
- 300302** Air Injector, 3/8" Tee, Barbed-Standard
- AIMN1-xx** Air Injector, Mini, (Includes Gasket)
- 300201** Air Injector, 3/8" Elbow, Barbed-Mini
- 300202** Air Injector, 3/8" Tee, Barbed-Mini

**Installation**

Mounting Hole:

- AI1 / AJ1** 5/8" (accommodates up to 1" wall)
- AI2** 5/8" (up to 1½" wall)
- AISG1 / AISP1** 17/32" (up to 3/8" wall)
- AISG2 / AISP2** 17/32" (up to 7/8" wall)
- AIMN1** 1/4" (up to 3/8" wall)

contact us to learn why we are the industry's preferred jetted tub supplier

nuwhirl.com | 951 817 5600 | 2066 California Avenue, Corona, CA

8/2013



Engineered and supported  
by people you trust



**MJ1-60**  
Directional

**MJ2-60**  
Whirly

**MJW3-60**  
3 Scallops, Directional

**MJ4-60**  
Low Profile

## Micro Jets

Micro Jets are small whirlpool bath jets for water system applications. Due to their size and profile, they are typically used as seat or back jets.

### Features and Benefits

**Small Size** Flexibly used in many whirlpool bath applications.

**Stylish Design** Complement most contemporary bathtub applications. Available in directional, whirly, adjustable, and low profile designs.

**Easy to Install** Sold and installed as completed assemblies, can be plumbed through use of a multi-port manifold.

### Easy to Purchase

Product in stock

No minimum order quantity

Same day shipping upon request

Available in wide variety of popular finishes.

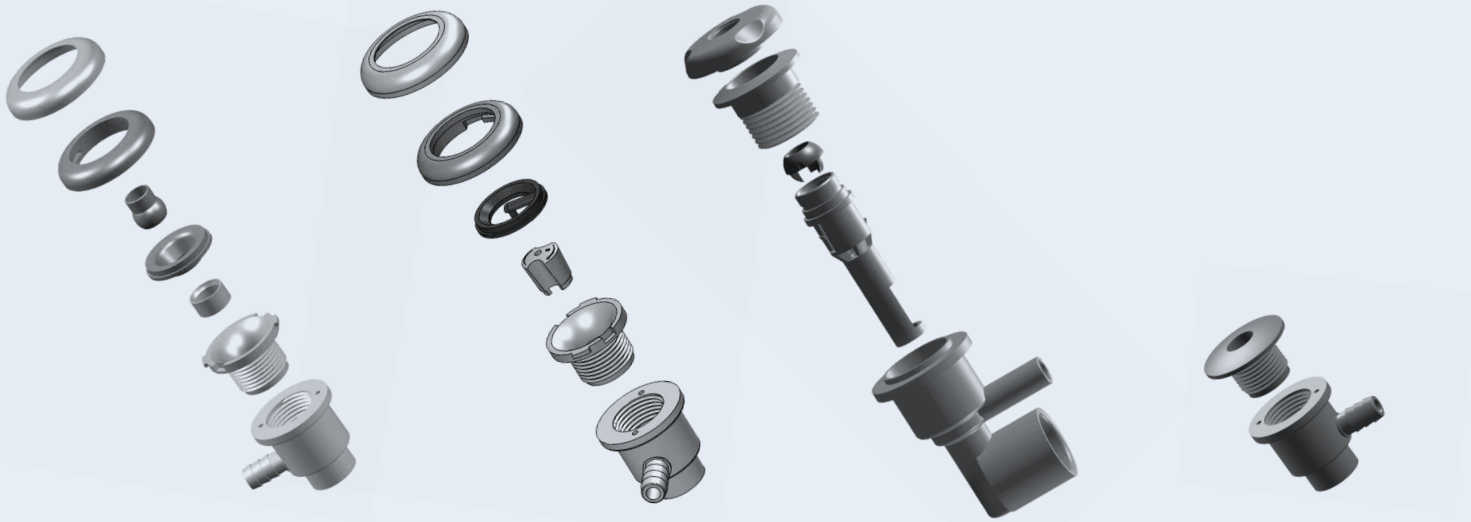
---

**Exceptional service support:** Water Systems are supported by the best engineering, sales and customer care in the Whirlpool Bath industry.



Engineered and supported  
by people you trust

### Exploded View — 2 Part Assembly



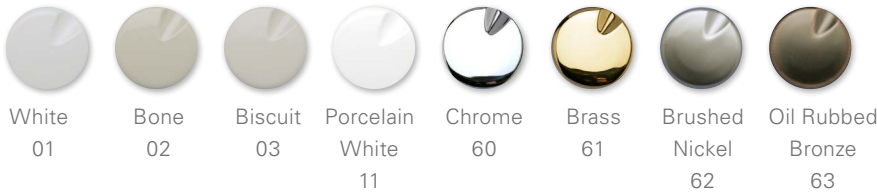
**MJ1-xx** Directional

**MJ2-xx** Whirly

**MJ3-xx** 3 Scallops, Directional

**MJ4-xx** Low Profile

#### Available in the following colors



#### Micro Jet Assembly Ordering

(replace xx with color number above)

- MJ1-xx** Directional Eyeball, 1/2" X 3/8", 3.8cm
- MJ2-xx** Whirly, 1/2" X 3/8", 3.8cm
- MJ3-xx** Directional Eyeball, 1/2" X 3/8", 90° Elbow, 3 Scallops, 3.8cm
- MJW3-xx** Directional Eyeball—Water Only (airline closed), 1/2" Socket, 90° Elbow, 3 Scallops, 3.8cm
- MJ4-xx** Low Profile, 1/2" X 3/8", 3.8cm

#### Installation

Mounting Hole Size: 1"

Tube Wall: Accommodates up to 3/8"

contact us to learn why we are the industry's preferred jetted tub supplier

nuwhirl.com | 951 817 5600 | 2066 California Avenue, Corona, CA

7/2013





*Engineered and supported  
by people you trust*



## Zone-Master Water Jet

Zone-Master is a large adjustable water jet for whirlpool baths

### Features and Benefits

**Stylish Design** Complements most contemporary bath tub applications.

**Increased Water Flow** Adjustable and directional water flow up to 7.4 GPM.

**Easy to Install** Installs easily (1" PVC socket water by 3/8" spigot air).

### Easy to Purchase

Product in stock

No minimum order quantity

Same day shipping upon request

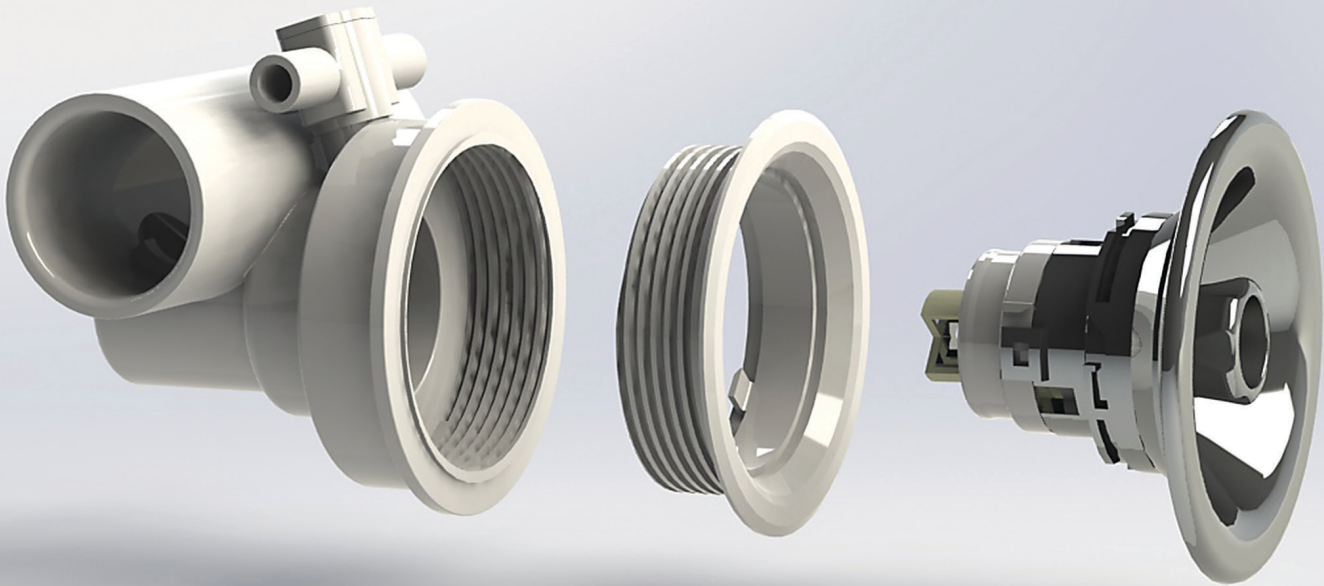
Colors: white, bone, biscuit and chrome

---

**Exceptional service support:** Zone-Master is supported by the best engineering, sales and customer care in the Whirlpool Bath industry.



Engineered and supported  
by people you trust

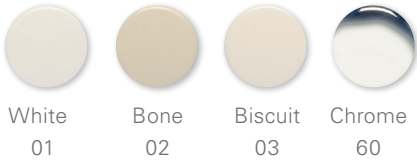


VZ38SXX Venturi

300112 Body

FZ8PL5-XX Jetface

Jetface available in the following colors



Ordering

(replace xx with color number above)

**300112** Body, Zone-Master, 3/4"

**VZ38SXX** Venturi, Zone-Master,  
3/8" X 1", Straight

**FZ8PL5-xx** Jetface, Zone-Master, 8CM,  
PLAIN, Adjustable & Directional Nozzle

Installation

Mounting Hole Size: 2-9/16"

Tub Wall: Accommodates up to 3/8"

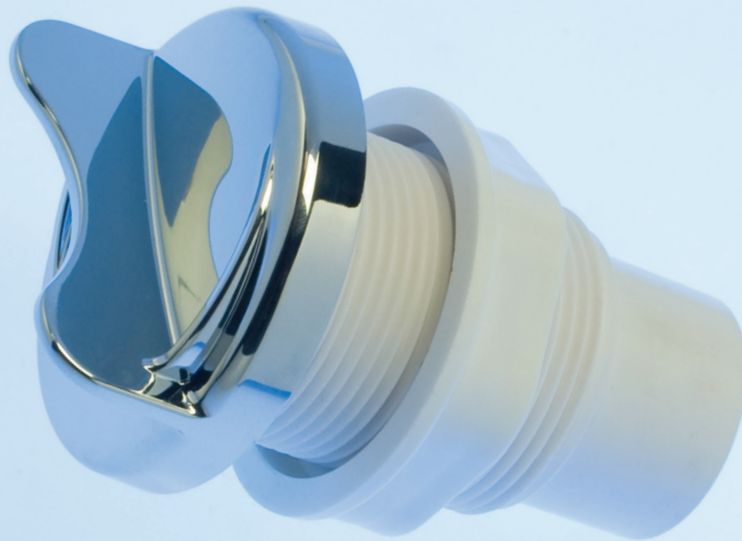
contact us to learn why we are the industry's preferred jetted tub supplier

nuwhirl.com | 951 817 5600 | 2066 California Avenue, Corona, CA

1/2013



*Engineered and supported  
by people you trust*



## Aromatherapy

NuWhirl's Aromatherapy canister is a four-part plumbing assembly that allows bathers to easily insert and replace personalized bath scents to maximize the enjoyment of the whirlpool bath experience.

### Features and Benefits

**"Easy Grip" Cap** The filler cap is designed to be easily gripped (twist to open) when accessing the scent cartridge.

**Specialized Canister** The canister is designed to maximize the aroma dispersed in the bath. It accommodates the most commonly available scent cartridges.

**Standard Tee Installation** Allows for flexibility in plumbing configurations on pressure and vacuum lines using a standard tee.

### Easy to Purchase

Conveniently sold as parts or as a "kit"

In stock and ships with other NuWhirl products

No minimum order quantity

Colors: white, bone, biscuit and chrome

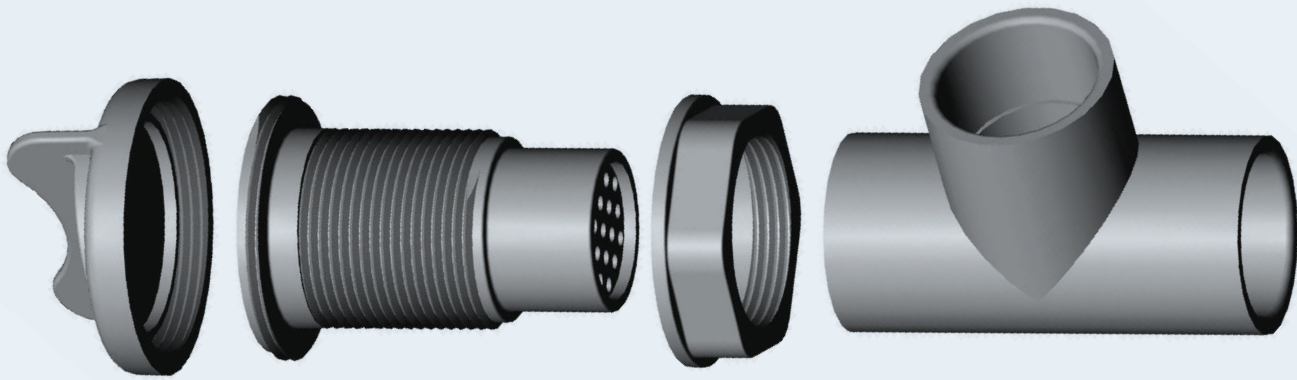
---

**Exceptional service support:** Aromatherapy is supported by the best engineering, sales and customer care in the Whirlpool Bath industry.



Engineered and supported  
by people you trust

## Aromatherapy Assembly



**2003XX** Cap  
Diameter: 2-3/8"  
Height: 1-1/8"

**400114** Canister  
Diameter: 1-5/8"  
Hole Saw: 1-11/16"  
Length: 2-7/8"  
Fitting: 1" Pipe Spigot

**300110** Nut  
Thickness: 0.6"  
Wrench Flats: 1-15/16"

**401010** Tee  
1" Schedule 40 PVC

### Cap available in the following colors



White 01    Bone 02    Biscuit 03    Chrome 60

### Ordering

Available as a kit or as separate parts  
(replace XX with color number above)

**ATH-XX** Kit  
**2003XX** Cap  
**400114** Canister  
**300110** Nut  
**401010** Tee

### Installation

Hole Size: 1-11/16"  
Tub Wall: Accommodates up to 1-1/4" Thick  
Body: Projects 2-5/8" from front of wall  
(before tee attachment)

contact us to learn why we are the industry's preferred jetted tub supplier

nuwhirl.com | 951 817 5600 | 2066 California Avenue, Corona, CA

10/2012





*Engineered and supported  
by people you trust*



## Grab Bar

NuWhirl's Grab Bars are stylish, made with high quality ABS and utilize brass hardware. They are designed with an easy grip for improved safety in the bathtub.

### Features and Benefits

**Safety** Meets ANSI requirements. Grab Bars help to make every bath safer by providing an easy to reach hand hold for added security.

**Standard Installation** Quick and easy installation. Removable from within the bathtub. Bolts and washers are included.

### Easy to Purchase

In stock and ships with other NuWhirl products

No minimum order quantity

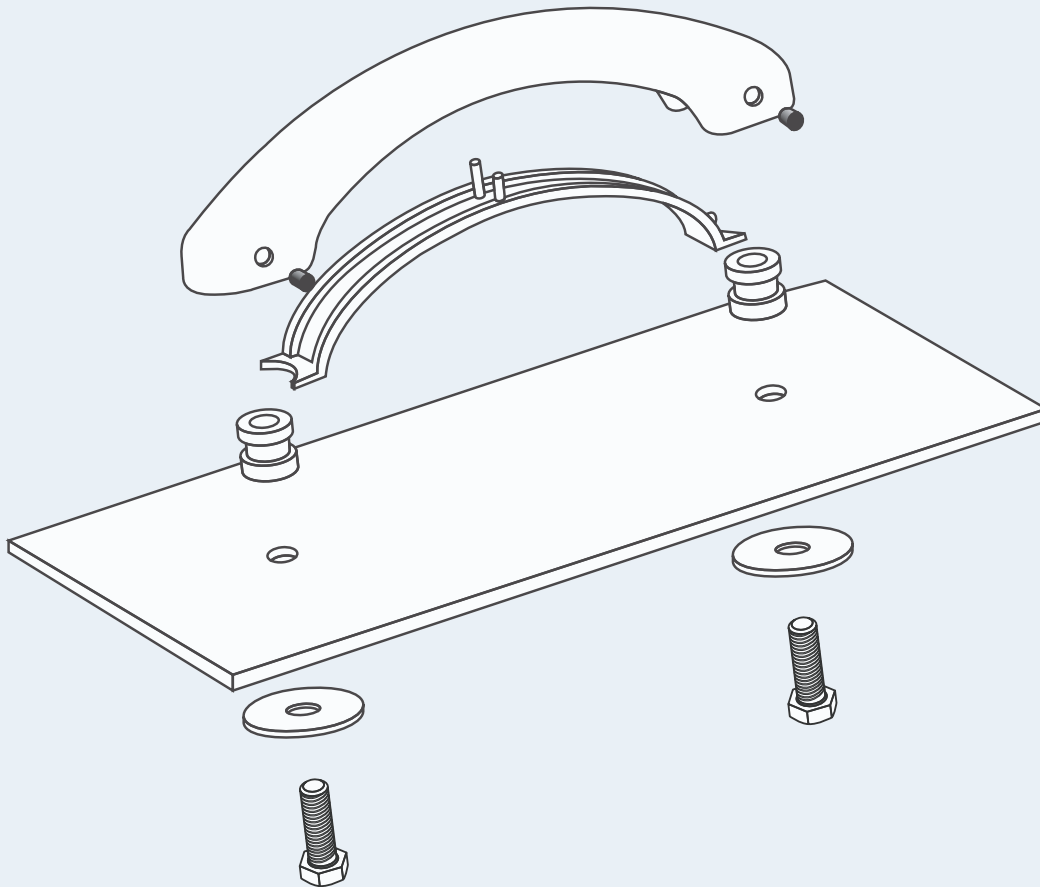
Colors: white, bone, biscuit, chrome, brushed nickel, oil rubbed bronze

---

**Exceptional service support:** Grab Bars are supported by the best engineering, sales and customer care in the Whirlpool Bath industry.



Engineered and supported  
by people you trust



Available in the following colors



White  
01



Bone  
02



Biscuit  
03



Chrome  
60



Brushed  
Nickel  
62



Oil Rubbed  
Bronze  
63

Ordering

**GBA1-XX**

(replace XX with color number above)

Installation

7-1/8" (165mm) from center to center  
of the 3/8" mounting bolts.

contact us to learn why we are the industry's preferred jetted tub supplier

nuwhirl.com | 951 817 5600 | 2066 California Avenue, Corona, CA

11/2012

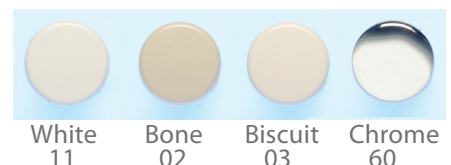


## Walk-In-Bath Door Drain

The *Walk-In-Bath Door Drain* is a plumbing assembly designed as a second safety device to contain leakage from the primary door seal.

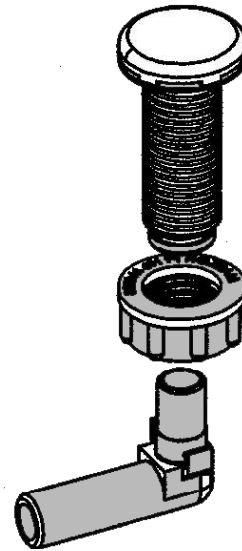
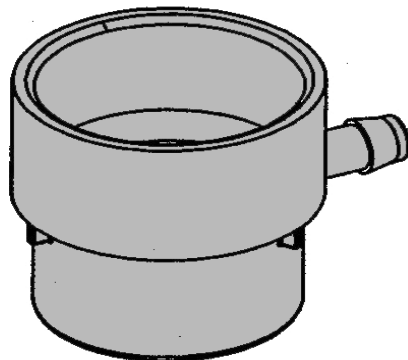
### FEATURES & BENEFITS

- **Integral Check Valve:** The Door Drain features an integral check valve to prevent the reverse flow of unwanted grey water.
- **Quick installation:** Since the Door Drain was specifically designed for this application, it is easy to install and avoids the “work around” plumbing solution typically used today.
- **Saves Material:** Fewer parts results in a lower material costs.
- **Easy to purchase:**
  - Conveniently sold as a “kit”
  - In stock; ships with other NuWhirl products.
  - No minimum order quantity.
- **Exceptional Service Support:** The Door Drain is backed by the best engineering, sales and customer care support in the Whirlpool Bath industry.
- Available in the following colors:



## PRODUCT SPECIFICATIONS

# Walk-In-Bath Door Drain



**PRODUCT NUMBER: DDK-XX (replace XX with color number)**

**INCLUDES:**

**DRAIN ASSEMBLY (Drain, Nut & Elbow) & DWV ADAPTER  
REQUIRES 3/8" VINYL TUBING (Not Included)**

**DRAIN ASSEMBLY:**

**HEIGHT: 1.58"**

**HOLE SIZE: 5/8"**

**WALL THICKNESS: .09" - 1"**

**FLOW DIRECTION: DOWN**

**DWV ADAPTER**

**1-1/2" SLIP X SPIG DWV X 3/8" BARB**

**MATERIAL: PVC**

**HEIGHT: 2.11"**





Engineered and Supported  
by people you trust



# Twist n' Flow

## VARIABLE FLOW / SUPERIOR VALUE

- NuWhirl's **Twist n' Flow** is an innovate, yet simple system which allows bathers to easily adjust the flow of water while in the tub.
- **Twist n' Flow's** adjustable waterflow improves the bathing experience by offering user preferred settings. Have it the way you want it!
- When used in conjunction with NuWhirl's proprietary wet end with its 6-blade impeller design, **Twist n' Flow** is more effective than other products on the market.
- **Twist n' Flow** delivers a superior value as it is a more cost effective way to offer "variable water flow" to your customers.
- NuWhirl's **Twist n' Flow** offers simple installation with its simple design.

To order the **Twist n' Flow** assembly (shown above) use part number **TF-xx**. For color choice, replace **xx** with the 2 digit code shown to the right (ex: For **Twist n' Flow** in Bone, order part number **TF-02**).

